





ASSEMBLY INSTRUCTIONS

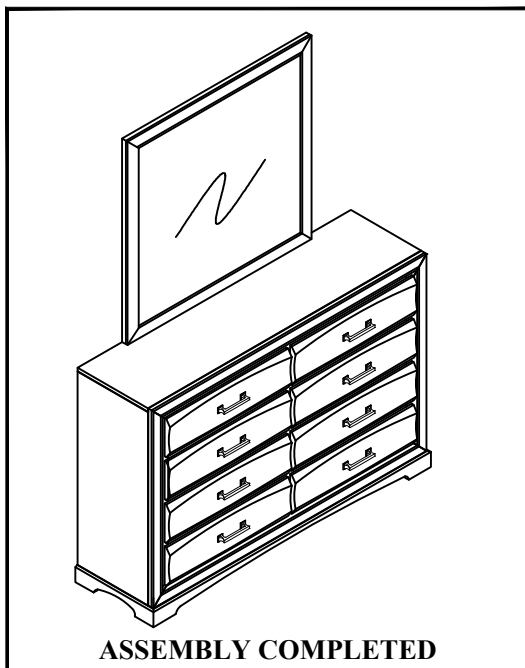
DESCRIPTION : DRESSER / MIRROR

MODEL : FBDSRA-2325A + FBMIRR-235A

REVISION : A

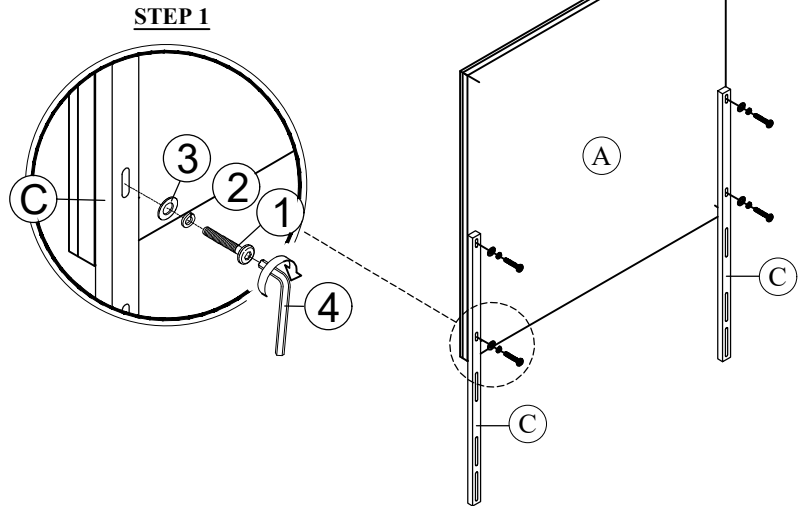
Component List		
No	Description	Qty
A	Mirror	1
B	Dresser	1
C	Mirror Support	2

Hardware List			
No	Description		Qty
1	JCBC M6 x 35mm		8
2	Spring Washer Ø1/4 "		8
3	Flat Washer Ø1/4" x 20mm		8
4	L Key M4 x 65mm		1



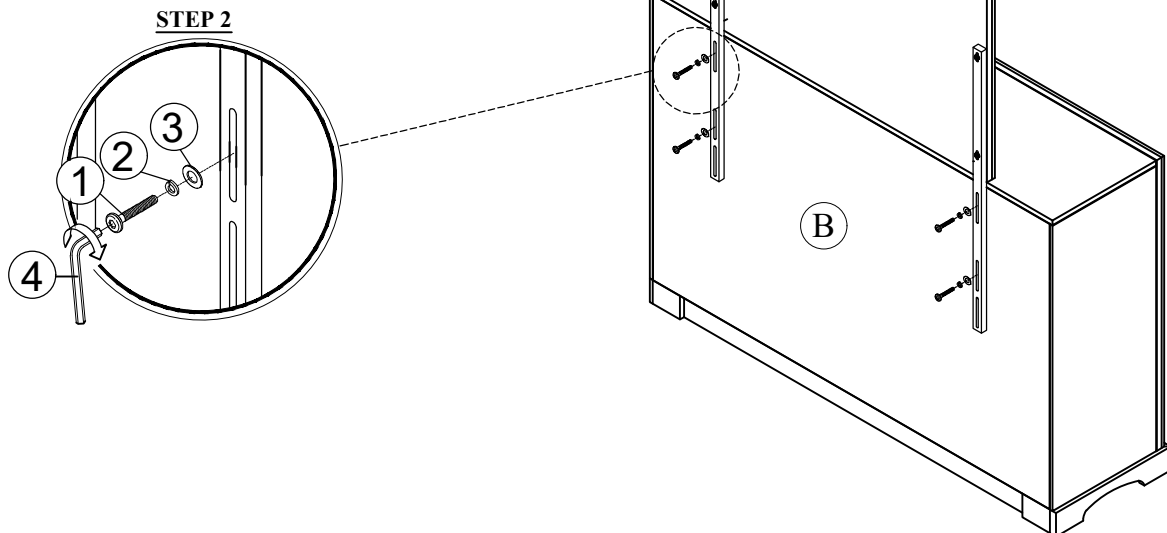
STEP 1

Attach Mirror Support (C) to the Mirror (A) back, then tighten with JCBC screw (1), Spring Washer (2) and Flat Washer (3) and fully tighten with L key M4 (4).



STEP 2

Place the mirror with support on top of Dresser (B). Then align center as shown and tighten with JCBC screw M6 x 35mm (1), Spring Washer Ø 1/4" (2), Flat Washer Ø 1/4" x 20mm (3). Tighten using L Key M4 (4).



NOTE : MUST TIGHTEN SCREWS PERIODICALLY WITH USE SCREW WILL BECOME LOOSE.
CHECK TIGHTNESS OF ALL SCREW EVERY 6-8 WEEKS.